



ADJUSTABLE L BRACKET

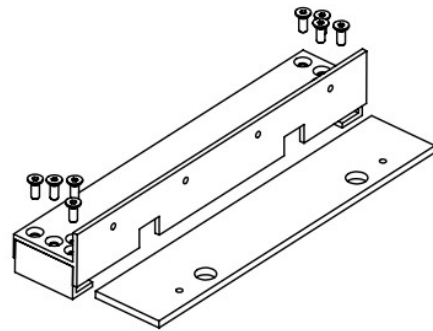
MAGNETIC LOCK

Fire tested range of maglocks and brackets from a market leader in access control.

FIRE TESTED to
BSEN1634-1-2014 & BS476:Part22:1987
(30, 60, 90 & 120 min timber door-sets)



**ADJ-600L
ADJ-1200L**



SPECIFICATION

- ADJ-600L/ADJ-1200L
- Available for ML600 and ML1200 range
 - Allows infinite adjustment and positioning
 - Very easy to fit and drastically reduces the installation time
 - Simple to adjust magnet position
 - No fixings required into the underside of transom
 - Incorporates a cavity and cut out to make cabling easier
 - Comes completely assembled

FEATURES

- ADJ-600L/ADJ-1200L
- Bracket to fix the transom
 - 2 end guide channels for the plate to slide between
 - Flat bar sliding plate to fix the magnet to

OTHER PRODUCTS

AB600CL



KPX1000



ML600



DIMENSIONS

- ADJ-600L
- 295x60x32/57 mm
 - 85g (Boxed) • 70g (Unboxed)
- ADJ-1200L
- 318x60x32/57 mm
 - 90g (Boxed) • 75g (Unboxed)

CONTENTS

- ADJ-600L/ADJ-1200L
- Bracket
 - Extension Plate
 - Fixing Kit



Manufactured by a BSIA Member

DU-CB/PTE

